



Large-Area High-Power Water-Cooled Thermopile Sensors to 5 kW

Designed to Measure Large Laser Diode Stacks and Arrays, and other High-Power Divergent Sources

Water-cooling and careful thermal management within these sensors enable them to deliver kW level power handling capacity. They can capably measure industrial diode laser sources and bar arrays at power levels from 100 W up to 5 kW.

The PM1K-100, PM3K-100 and PM5K-100 provide a range of power capabilities in a 100 mm diameter size, and are also useful for diode bars and large cross-section laser beams.

The PM5K-200 features a 200 mm diameter detector, and is specifically intended to measure the power output of large laser diode bar arrays.

FEATURES & BENEFITS

- Maximum power from 1 kW to 5 kW
- Minimum power down to 100 W
- Water-cooled
- 0.15 μm to 11 μm spectral range
- 100 mm and 200 mm active area diameters
- RoHS compliant



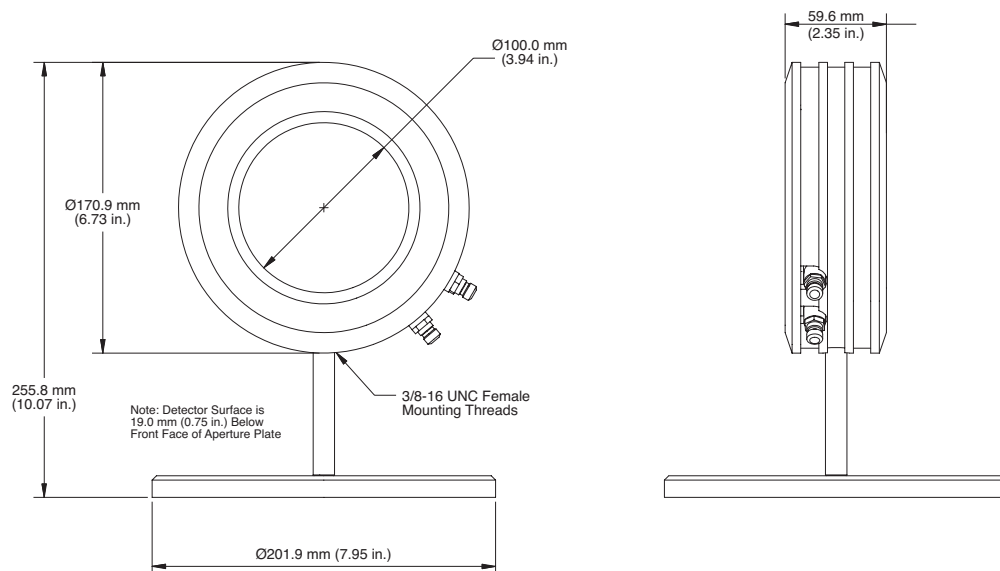
Large-Area High-Power Water-cooled Thermopile Sensors to 5 kW Datasheet

SPECIFICATIONS	PM1K-100	PM3K-100	PM5K-100	PM5K-200
Wavelength Range (nm)	0.25 to 11			
Power Range	100 to 1000	100 to 3000	100 to 5000	100 to 5000
Resolution (μ W)	1			
Max. Intermittent Power (<5 min.) (W)	1500	4000	7500	7500
Maximum Avg. Power Density (kW/cm ²)	1 to 2.5			
Maximum Pulse Energy Density (mJ/cm ²)	600 (10 ns, 1064 nm)			
Response Time (sec.)	45			
Detector Coating ¹	Broadband			
Detector Diameter (mm)	100	100	100	200
Calibration Uncertainty (%) (k=2)	±3			
Calibration Wavelength (nm)	1070			
Cooling Method	Water			
Cable Type	PM DB-25			
Cable Length (m)	2			
Part Number	1098490	1098506	1098461	1098505

¹ The damage resistance of the coating is dependent upon the beam size and profile, the average power level, and the water flow rate. Contact Coherent or your local representative for details related to your application.

MECHANICAL SPECIFICATIONS

PM1K-100/PM3K-100/PM5K-100

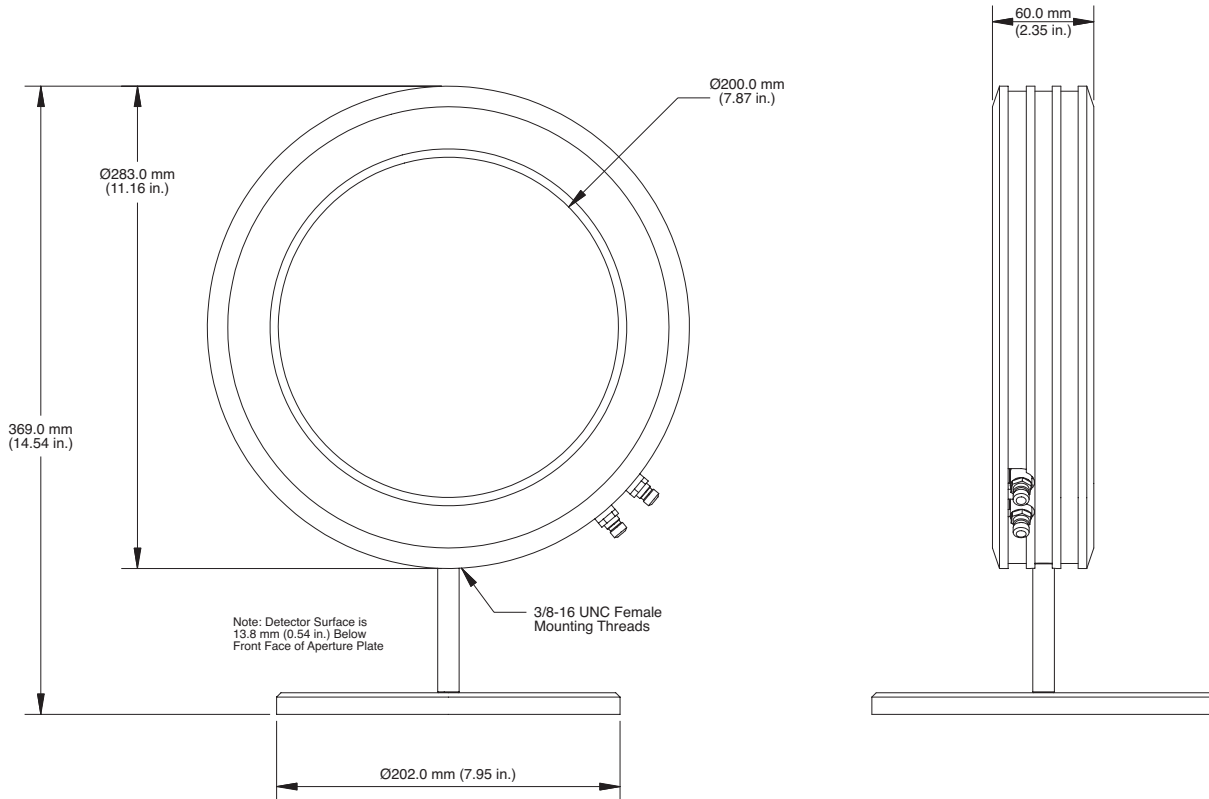




Large-Area High-Power Water-cooled Thermopile Sensors to 5 kW Datasheet

MECHANICAL SPECIFICATIONS

PM5K-200



Coherent, Inc.,
5100 Patrick Henry Drive Santa Clara, CA 95054
p. (800) 527-3786 | (408) 764-4983
f. (408) 764-4646

tech.sales@coherent.com www.coherent.com

Coherent follows a policy of continuous product improvement. Specifications are subject to change without notice. Coherent's scientific and industrial lasers are certified to comply with the Federal Regulations (21 CFR Subchapter J) as administered by the Center for Devices and Radiological Health on all systems ordered for shipment after August 2, 1976.

Coherent offers a limited warranty for all Large-Area High-Power Water-Cooled Thermopile Sensors. For full details of this warranty coverage, please refer to the Service section at www.coherent.com or contact your local Sales or Service Representative. MC-XXX-20-DM0320 Copyright ©2020 Coherent, Inc.